

X100[®] Swivel Self Locking Hook with Ball Bearing

BY  **ADVANTAGE**

SWIVELS UNDER LOAD

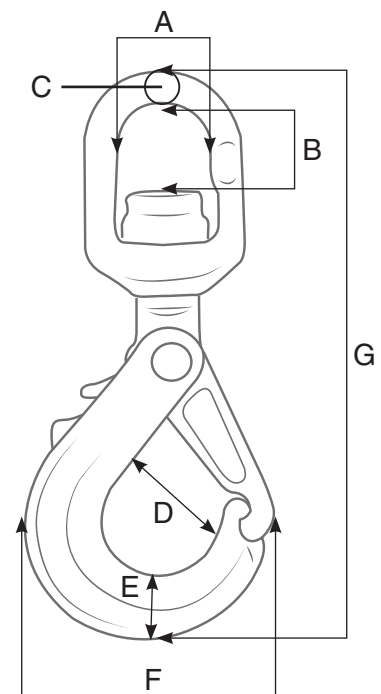
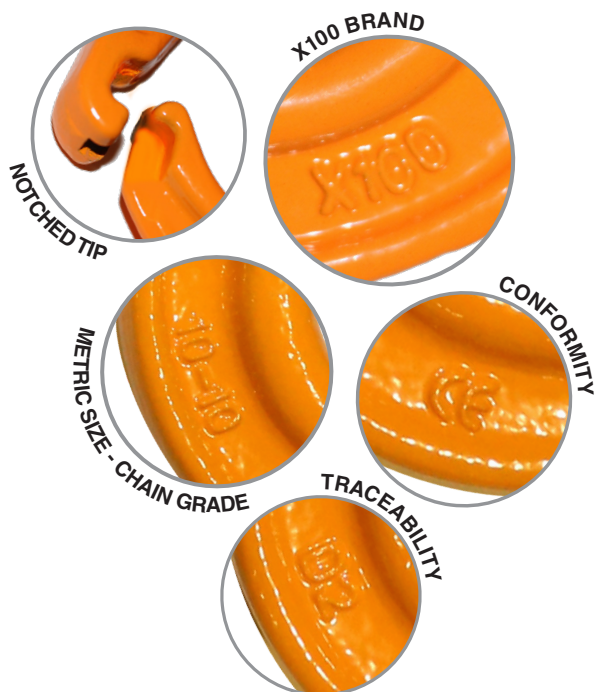


SWIVEL SELF LOCKING HOOK WITH BALL BEARING


- Approved for Overhead Lifting
- Notched Integrated Latch to Help Avoid Hook Damage
- 100% Forged Alloy Steel
- Quenched and Tempered
- Powder Coated HI-VIZ Safety Orange
- 100% Proof Tested at 2.5 times the Working Load Limit
- 100% Mag-Particle Crack Detection
- Embossed Markings: X100 Brand, Size, Working Load Limit, Conformity, Traceability

STOCK NUMBER	SIZE	DIMENSIONS							WORKING LOAD LIMIT (LBS.)
		A	B	C	D	E	F	G	
XSSL281-312WB	9/32"-5/16"	1.380	1.000	0.500	1.330	0.940	3.700	8.800	5,700
XSSL375WB	3/8"	1.650	1.270	0.590	1.700	1.230	4.500	10.450	8,800
XSSL500WB	1/2"	1.930	1.690	0.690	2.000	1.590	5.520	12.990	15,000
XSSL625WB	5/8"	2.400	2.170	0.850	2.430	1.990	6.710	16.260	22,600

Ultimate load is 5 times the Working Load Limit. Replacement Trigger Kits available.



DO NOT EXCEED WORKING LOAD LIMIT.

X100 by  **ADVANTAGE** | www.AdvantageSales.biz | 800-216-2183

X100[®] Swivel Eye Hoist Hook with Ball Bearing

BY **ADVANTAGE**

SWIVELS UNDER LOAD

SWIVEL EYE HOIST HOOK WITH BALL BEARING

- Approved for Overhead Lifting
- Notched Tip and Latch
- Heavy Duty Latch, Spring and Pin included
- 100% Forged Alloy Steel
- Quenched and Tempered
- Powder Coated HI-VIZ Safety Orange
- 100% Proof Tested at 2.5 times the Working Load Limit
- 100% Mag-Particle Crack Detection
- Embossed Markings: X100 Brand Size, Working Load Limit, Conformity, Traceability



STOCK NUMBER	SIZE / WORKING LOAD LIMIT	DIMENSIONS							REPLACEMENT LATCH KIT STOCK NUMBER
		A	B	C	D	E	F	G	
XEHH100SBBi	1 Ton	1.263	1.198	0.460	0.901	0.640	2.750	5.330	XEHH100SBBLKi
XEHH200SBBi	2 Ton	1.405	1.670	0.520	1.090	0.813	3.540	6.530	XEHH200SBBLKi
XEHH300SBBi	3 Ton	1.527	1.850	0.610	1.270	0.920	4.130	8.060	XEHH300SBBLKi
XEHH500SBBi	5 Ton	1.870	2.300	0.670	1.540	1.260	5.300	9.480	XEHH500SBBLKi
XEHH700SBBi	7 Ton	2.400	2.570	0.870	1.720	1.480	6.150	11.470	XEHH700SBBLKi
XEHH1100SBBi	11 Ton	2.910	3.540	1.020	2.160	1.970	7.320	14.470	XEHH1100SBBLKi
XEHH1500SBBi	15 Ton	3.640	4.090	1.330	3.450	2.140	9.420	17.930	XEHH1500SBBLKi

Ultimate load is 5 times the Working Load Limit. Replacement Latch Kits available.

