

**GREAT FOR  
CHAIN SLINGS**

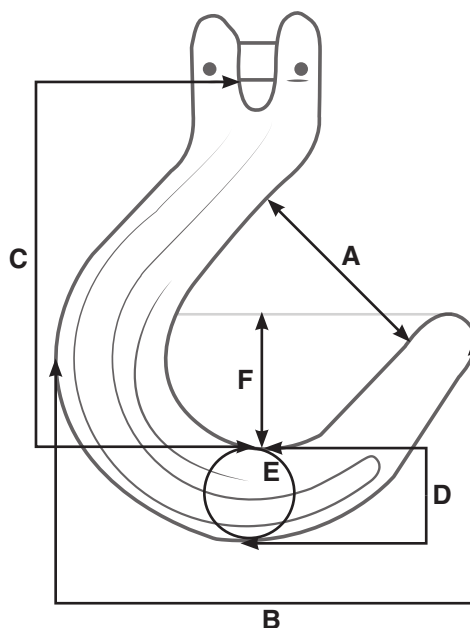
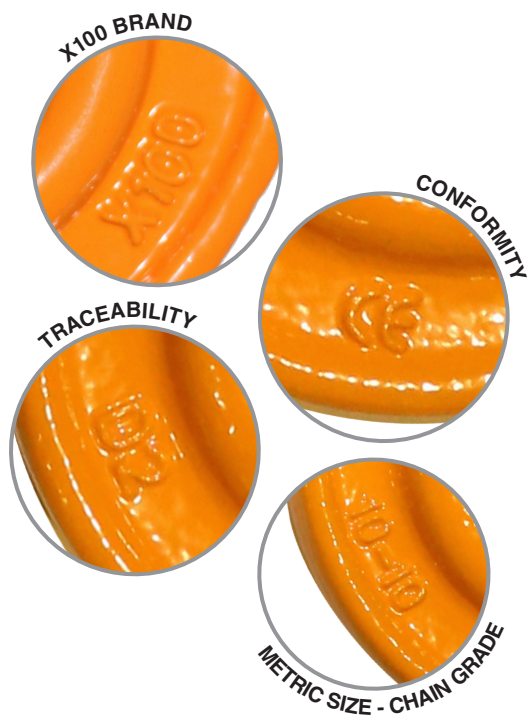


## FOUNDRY HOOKS CLEVIS TYPE

- Approved for Overhead Lifting
- 100% Forged Alloy Steel
- Quenched and Tempered
- Powder Coated HI-VIZ Safety Orange
- 100% Proof Tested at 2.5 times the Working Load Limit
- 100% Mag-Particle Crack Detection
- Embossed Markings: X100 Brand, Size, Working Load Limit, Conformity, Traceability

STOCK NUMBER	SIZE	DIMENSIONS (IN)						WORKING LOAD LIMIT AT TIP	WORKING LOAD LIMIT AT BOWL
		A	B	C	D	E	F		
XCF375	3/8"	2.850	5.950	5.380	1.230	0.980	2.050	4,400	8,800
XCF500	1/2"	3.500	7.220	6.650	1.630	1.350	2.380	7,500	15,000
XCF625	5/8"	4.300	8.560	7.810	2.020	1.590	3.040	11,300	22,600

Ultimate load is 5 times the Working Load Limit.



**SEE REVERSE SIDE  
FOR EYE TYPE**



**GREAT FOR  
CHAIN SLINGS**



## FOUNDRY HOOKS EYE TYPE

- Approved for Overhead Lifting
- 100% Forged Alloy Steel
- Quenched and Tempered
- Powder Coated HI-VIZ Safety Orange
- 100% Proof Tested at 2.5 times the Working Load Limit
- 100% Mag-Particle Crack Detection
- Embossed Markings: X100 Brand, Size, Working Load Limit, Conformity, Traceability

STOCK NUMBER	SIZE	DIMENSIONS (IN)							WORKING LOAD LIMIT AT TIP	WORKING LOAD LIMIT AT BOWL
		A	B	C	D	E	F	G		
XEF281-312	9/32"-5/16"	2.200	4.900	4.860	1.350	0.760	1.570	0.940	2850	5700
XEF375	3/8"	2.850	5.950	5.380	1.230	0.980	2.050	1.200	4400	8800
XEF500	1/2"	3.500	7.220	6.650	1.630	1.350	2.380	1.710	7500	15000
XEF625	5/8"	4.300	8.560	7.810	2.020	1.590	3.040	1.950	11300	22600

Ultimate load is 5 times the Working Load Limit.

